

THE INSTRUCTIONS FOR THE USE AND MAINTENANCE OF THE SLIDING GATE

Safe usage

Instruct all the users for the safe usage of the gate.

The sliding gate has moving parts that may cause damage both to the users and to the property if it is used in a faulty manner or if it is not properly secured from damage. For this reason, be sure to check all the safety equipment of the gate and have them serviced regularly to ascertain the functionality. Check additionally that all the warning signs are in their place and intact.

There is always a danger of getting squeezed in the area of operation of the sliding gate if the distance between the gate and the obstacle is less than the minimum of 500 mm. If the rear of the gate is less than 500 mm from the wall, the access between the gate and the wall must be prevented by other means such as fencing.

It is forbidden to store certain kinds of objects in the near vicinity of the gate. These include such objects that may cause a danger of squeezing or cutting, or may damage people or the gate.

Always correct the deficiencies immediately.

Opening and closing

The sliding rollers of Saher sliding gates are equipped with ball-bearings, and for this reason the movement of the gate is very responsive and the gate runs smoothly. Force should not be used when opening or closing the gate. The gate should always be opened and closed by steering the gate leaf manually from the opening position to the closing position and vice versa. If the gate is pushed with force so that it always opens or closes against the door limiter, the limiters and even sliding rollers will get damaged in time. If the sliding rollers get out of their place, the gates and sliding rollers may be worn out earlier.

Winter usage

To ensure the maintenance of the gate area during the winter, it is advisable to include this e.g. in the maintenance of the yard, so that it will be taken care of.

Although the sliding rollers are covered inside the lower beam, snow heaps should be positioned so that the gate does not come in contact with the heaps when it is moving. The wet snow may get inside the beam and cause damages as it freezes. Snow should be cleared away from the drive through opening so that the gate does not have to slide against the hard snow ridge. The wet snow should be taken away from the top of the gate, especially from the sides so that it doesn't interfere with the functioning of the gate. Snow should not be ploughed or heaped against the gate. Nothing should be placed to lean against the gate. The gate should not be used as a snow plough; it should not be used to make a path through the snow but the snow should be removed first.

As far as machine-operated gates are concerned, the functioning of the safety equipment should be monitored, such as the cleanliness of the electric eye.

Outside structures

It is not advisable to attach various warning and advertising signs on the gate, because they add to the effect of the wind and thus make it harder for the gate to function. This is especially true with machine-operated gates and with gates that are higher than ordinary (>2000 mm).

External conditions

Because the gate operates very smoothly, it may move by itself if the wind is hard. In places with hard wind and in the locations with heavy traffic, it is advisable to add an additional wind hook to prevent the gate from closing because of the wind.

Controlling damages and operation

The functioning of the gates should be controlled in everyday use for external damages and vandalism. If the following indications are detected in the functioning of the gate, the reasons should be clarified and the possible repairs should be done immediately, so that additional damages are prevented:

- the gate does not move smoothly
- the movement of the gate is jerky
- there are rasping or abrasive sounds when the gate moves
- there are aluminum chips on the ground under the sliding rollers
- the gate does not open or close completely

These indications are always results of a damage that must be taken into account. If they continue for a long time and are not attended to, the gate may be permanently damaged. If this is the case, always contact our factory in Nurmes.

Maintenance of the gate

The annual external inspections should be done in the spring after the snow has melted. At that time it is easy detect all the damages that have occurred during the winter. At that time it is advisable to check the tightness of all the securing bolts. This can be done by a maintenance man.

Locking devices

If the locking brackets are not on the same level, the locking screw of the bracket band is opened. Then the bracket band is raised or lowered.

Machinery

The gate machine is an electric device and only an electrician or mechanic authorised by Saher-Aidat Oy is allowed to do the service or repair work. Otherwise the guarantee will be withdrawn.

Do It Yourself maintenance and inspection measures for the machinery can be done once a year, for example in the spring:

- checking the fastening of the machinery and tightening it if needed
- visually observing the external damages
- checking for the abnormal sounds
- checking the function of the safety equipment (electric eye, safety induction loop, safety edges)
- checking the function of all the steering mechanisms.

If there is a fault in the steering or safety mechanisms, or any abnormality in the function of the gate, please contact a representative of Saher-Aidat Oy.

Checking of the gate and machinery functions by a person authorized by Saher-Aidat Oy is included in the service agreement **for our customers who have made a contract for annual maintenance.**

If you have other questions about the function, use or maintenance of your gates, please contact a representative of Saher-Aidat Oy.

SAHER-AIDAT^{oy}

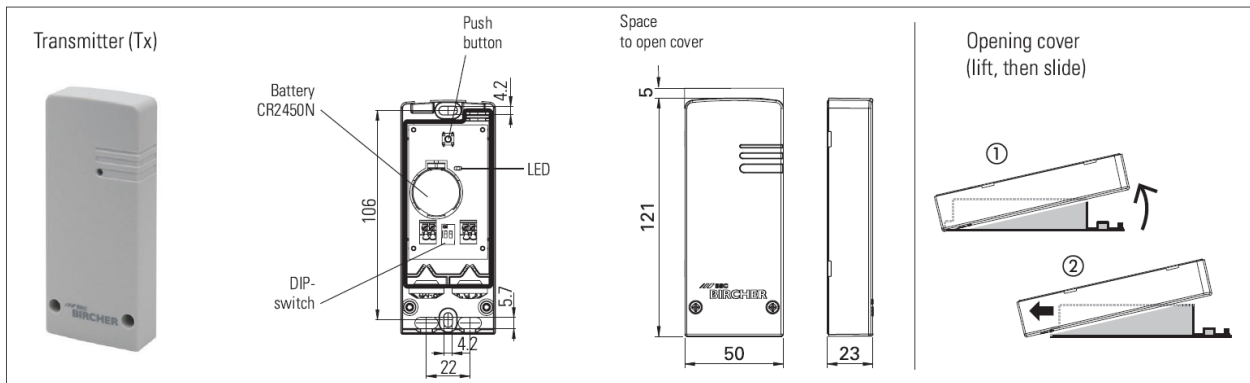
Replacing the battery of the safety edge transmitter

Transmitter model: Bircher XRF-1

The transmitter can be found in the gate leaf, usually at the front edge, at the top.

It is recommended to replace the battery once a year.

Battery type: CR2450N (the N model has better cold resistance than the standard model).



4.1 Warning indicator for low battery voltage



To find out which transmitter has low battery voltage: Press each edge.



Battery good



Battery bad

4.2 Battery change

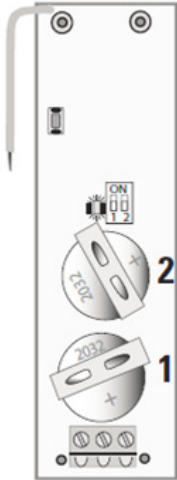
- 1 Loosen the two screws
- 2 Open housing (lift, then slide)
- 3 Remove battery
- 4 Insert new battery (check polarity)
- 5 Put on the cover (slide, then push down)
- 6 Attach the screws
- 7 **System test mandatory!**
- 8 Dispose used battery according to local regulations

3.2 System check (mandatory after each set-up)

The LED flashes when activating the sensor element (pressing the sensing edge) and flashes again when releasing the sensor element. Does the door/gate stop when the sensing element is activated?

Replacing the battery of the safety edge transmitter

Transmitter model: Bircher RFGate 2.1



Safety Edge Batteries, Testing, and Replacing

You can test the battery condition by pressing the safety edge. If the transmitter beeps, the battery should be replaced. When the battery is completely drained, the gate will no longer close. It is recommended to change the battery in spring and autumn. The battery type is CR2032.

1. Open the cover of the casing.
2. Insert battery no. 1 first, followed by battery no. 2.

If the order is incorrect, reliable operation cannot be guaranteed. If necessary, ask for the full manufacturer's instructions.

Recycling

When our products reach the end of their lifecycle, they are fully recyclable. Most of the materials are repurposed as metal. Additionally, the recyclable materials from the gate may include concrete foundations, plastic parts, and locking and automation components. Before recycling, please check the recycling guidelines for your area.